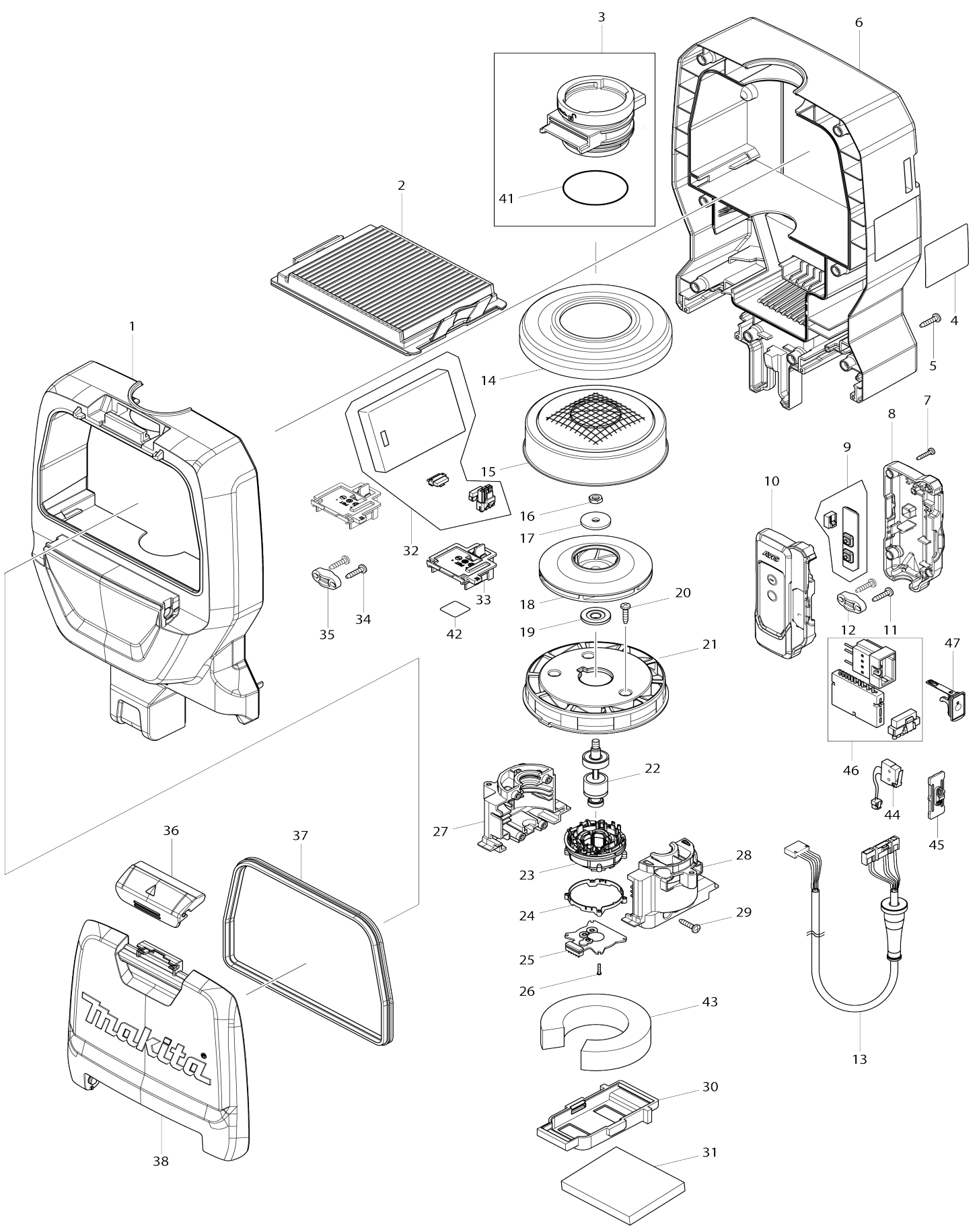
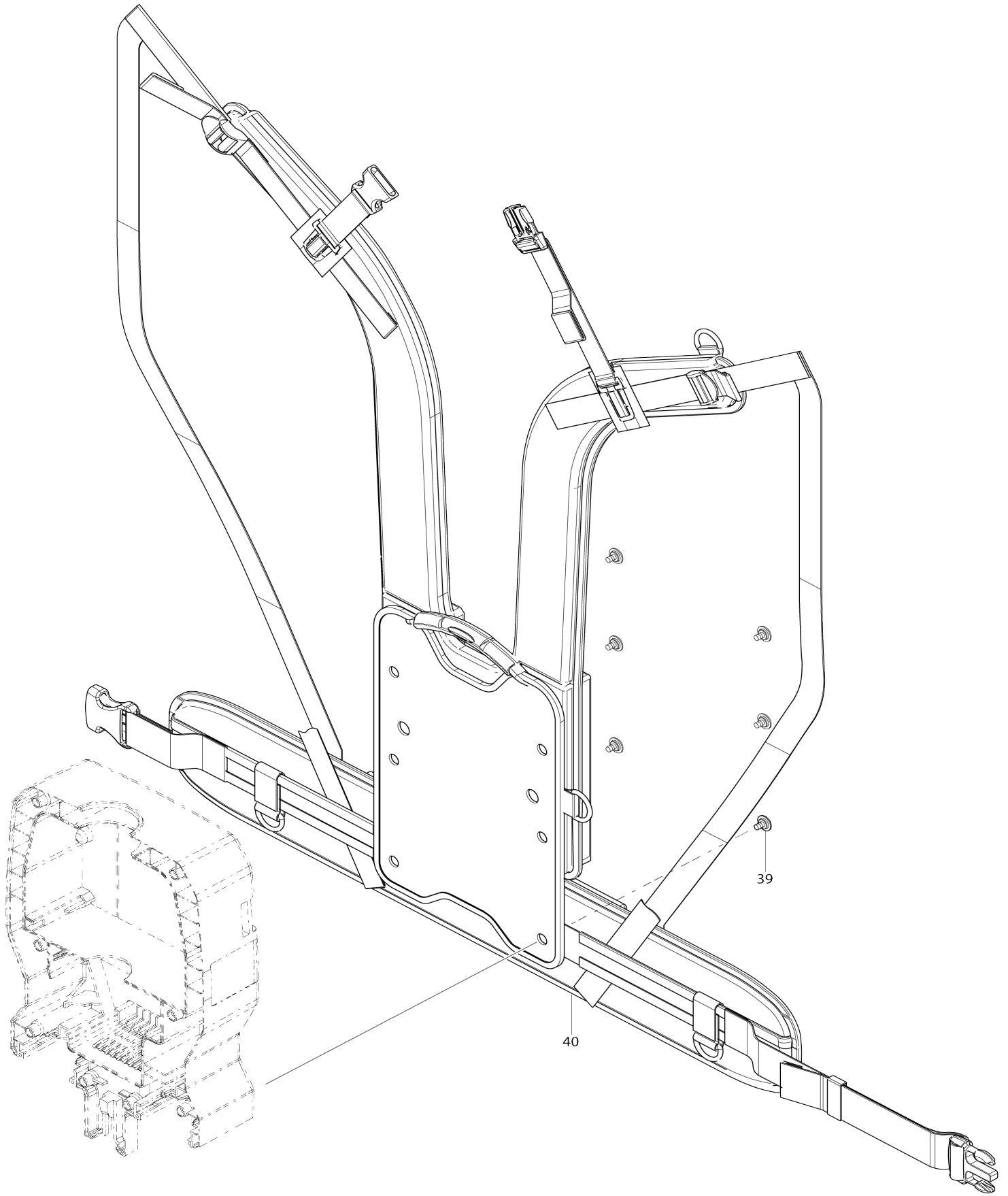


# Model No.DVC265 DC BACKPACK VACUUM CLEANER



Model No.DVC265 DC BACKPACK VACUUM CLEANER



**Model No.DVC265 DC BACKPACK VACUUM CLEANER**

Obj. č.	Obj. č.	Popis	Možn ost zá měny	Množ ství	Nový/ Starý	Poznámka 1	Poznámka 2
001	140D62-1	UPPER HOUSING COMPLETE		1		obal	
C10	263005-3	vymezovací čep 6		4			
C20	422373-5	BAND DAMPER A		1			
002	123636-9	HEPA FILTER ASSEMBLY		1	*		
C10	153820-2	VALVE COMPLETE		1	*	ventil DVC260 DVC26 1 DVC265	
002-1	127725-2	FILTER ASSEMBLY	O	1			
C10	153820-2	VALVE COMPLETE		1		ventil DVC260 DVC26 1 DVC265	
003	135771-1	INLET ASS'Y		1			
003		INC. 41					
004	854Y68-6	DVC265 NAME PLATE		1			
005	266326-2	šroub 4x18=new265995-6		8			
006	140F61-5	LOWER HOUSING COMPLETE		1		obal	
C10	422374-3	BAND DAMPER B		1			
007	266130-9	šroub PT 3X		4			
008	183K75-1	SWITCH CASE SET		1		pouzdro	
C10	818F55-5	SWITCH LABELA		1			
C20	818F56-3	SWITCH LABELB		1			
008		INC. 10					
009	620949-4	SWITCH CIRCUIT		1		okruh vyp	
010	183K75-1	SWITCH CASE SET		1		pouzdro	
C10	818F55-5	SWITCH LABELA		1			
C20	818F56-3	SWITCH LABELB		1			
010		INC. 8					
011	266326-2	šroub 4x18=new265995-6		2			
012	687123-7	spona kabelu MT601		1			
013	699116-2	POWER SUPPLY CORD UNIT		1	*	kabel	
013-1	699137-4	POWER SUPPLY CORD UNIT	O	1	*	kabel	
013-2	699137-4	POWER SUPPLY CORD UNIT	O	1		kabel	
014	422376-9	SUPPORT RING		1		krou	
015	161804-6	FAN COVER		1			
016	931303-0	HEX. NUT M6		1	*		
016-1	252268-6	HEX. NUT M6	O	1			
017	322407-3	WASHER 6		1			
018	241851-4	větrák 94		1		v	
019	313062-2	FLANGE		1		p	
020	266326-2	šroub 4x18=new265995-6		3			
021	456736-3	FAN BASE		1		t	
022	619517-8	ROTOR		1	*	rotor DVC260 =old 61 9395-6	
022-1	619517-8	ROTOR	O	1	*	rotor DVC260 =old 61 9395-6	
022-2	619517-8	ROTOR	O	1		rotor DVC260 =old 61 9395-6	
023	629381-9	STATOR		1		stator	
024	687464-1	SUPPORT		1		mont	
025	620526-2	CONTROLLER B		1		regul	
026	266786-8	+ PAN HEAD TAPPING SCREW 2X 10		4			

027	183D13-1	MOTOR HOUSING SET		1		obal motoru DVC260 DVC261 DVC265
027		INC. 28				
028	183D13-1	MOTOR HOUSING SET		1		obal motoru DVC260 DVC261 DVC265
028		INC. 27				
029	266326-2	šroub 4x18=new265995-6		4		
030	424837-5	SUPPORT A		1		podp
031	424838-3	REAR BLOCK FILTER		2		filtr
032	620942-8	CONTROLLER		1		ovl
033	644808-8	TERMINAL		2		terminal
034	266326-2	šroub 4x18=new265995-6		2		
035	687123-7	spona kabelu MT601		1		
036	123586-8	LATCH ASSEMBLY		1		spona DVC260 DVC2 61 DVC265
037	424836-7	SEAL		1		t
038	456739-7	DUST BOX COVER		1		v
039	265008-3	šroub M5 šestihran LS1013		6		
040	162469-7	HARNESS		1	*	
040-1	162D04-5	HARNESS	O	1	*	popruh DVC260=old1 61767-6 =old 162469- 7
040-2	162B50-6	HARNESS	O	1		
041	213655-4	o-kroužek 56		1		o-krou
042	854Y75-9	DVC265 SERIAL NO. LABEL		1		
043	422370-1	BAND DAMPER C		1		popruh
044	632E26-0	SWITCH UNIT		1		vyp
045	458714-9	SWITCH LEVER		1		p
046	620943-6	SUB CONTROLLER		1		ovl
047	140G18-2	CAP COMPLETE		1		v
C10	213218-6	o kroužek		1	*	o krou
C11	213A05-9	O-RING16	O	1		o krou
C20	818F57-1	CAP LABEL		1		
A01	A-34235	HOSE COMP 28-1.5		1		
C10	417766-9	FRONT CUFF 38		1		
C20	417191-4	CUFF LOCK		1		
C30	417586-1	STOPPER		1		
C40	417662-1	SLEEVE		1		
A01		INC. A08				
A02	166116-2	HOSE BAND		1		
A03	197903-8	FILTER BAG SET 2L(10PCS)EU		1	*	
A03-1	197903-8	FILTER BAG SET 2L(10PCS)EU	O	1		
A08	417765-1	adaptér 22 VC3210L =new 1955 47-8		1		
A09	424379-9	adaptér 24 VC3210L =new19554 6-0		1		
A12	198900-7	WIRELESS UNIT SET		1	*	
A12-1	198900-7	WIRELESS UNIT SET	<	1	*	
A12-2	198900-7	WIRELESS UNIT SET	<	1	*	
A12-3	198900-7	WIRELESS UNIT SET	O	1	*	
A12-4	198900-7	WIRELESS UNIT SET	<	1		
F10	192236-6	TAPERED NOZZLE SET		1		
F13	195545-2	adaptér		1		
F14	195546-0	FRONT CUFF 24 SET		1		

F15	195547-8	adaptér=old417765-1		1		
F16	195548-6	JOINT 22-38 SET		1		
F17	195549-4	T-NOZZLE ASSY A SET(DRY)38		1		
F18	195551-7	zemní hubice VC3210L		1		
F28	198184-7	F/C SWITCHING T-NOZZLE 38		1		
F32	198533-8	F/C SWITCHING T-NOZZLE 38 EU		1		
F33	198537-0	SHELF BRUSH SET28 IVO EU		1		
F34	191496-7	hadice		1		hadice 430mm na ak u vysdava
F36	198552-4	ROUND BRUSH SET 28 IVO		1		
F39	198560-5	TELESCOPIC PIPE SET 28 EU		1		
F42	198868-7	FLEXIBLE HOSE SET28(WHI)		1		
F44	198873-4	SHELF BRUSH SET28 WHI		1		
F46	198878-4	ROUND BRUSH SET 28 WHI		1		
F48	198919-6	LONG SASH NOZZLE SET 28 WHI		1		
F51	198990-0	LONG SASH NOZZLE SET 28 BLU		1		
F53	198992-6	LONG SASH NOZZLE SET 28 BLK		1		
F55	199038-1	SEAT NOZZLE SET 28 WHI		1		
F56	199039-9	SEAT NOZZLE SET 28 BLK		1		
F58	199041-2	SEAT NOZZLE SET 28 BLU		1		
F64-2	198900-7	WIRELESS UNIT SET	<	1	*	
F64-3	198900-7	WIRELESS UNIT SET	O	1	*	
F64-4	198900-7	WIRELESS UNIT SET	<	1		
F67	199491-1	CYCLONE ATTACHMENT SET		1		
F69	199439-3	CREVICE NOZZLE 415 SET		1		
F71	191E30-3	FLEXIBLE HOSE SET(LOCK)		1		
F74	191D71-3	CYCLONE ATTACHMENT SET (LO CK)		1		
F75	191D73-9	CYCLONE ATTACHMENT SET (LO CK)		1		
F77	191D75-5	CYCLONE ATTACHMENT SET		1		
F78	191D76-3	STRAIGHT PIPE SET 340		1		
F79	191D77-1	STRAIGHT PIPE SET 340		1		
F80	191D78-9	STRAIGHT PIPE SET 340		1		
F82	191D80-2	STRAIGHT PIPE SET 320		1		
F86	191M77-5	JOINT A 32 SET		1		
F87	191M78-3	JOINT B 35 SET		1		
F88	191M79-1	JOINT C 38 SET		1		
F91	1910S4-7	PROTECTION COVER SET		1		
F98	191Y14-1	HARNESS COVER SET		1		
G09	1912G4-5	TELESCOPIC PIPE COMPLETE SET		1		
G10	1912G5-3	BENT PIPE COMPLETE SET		1		

Prosím uveďte objednáčíslo dílu v objednávce

Datum tisku 24. 10. 2024